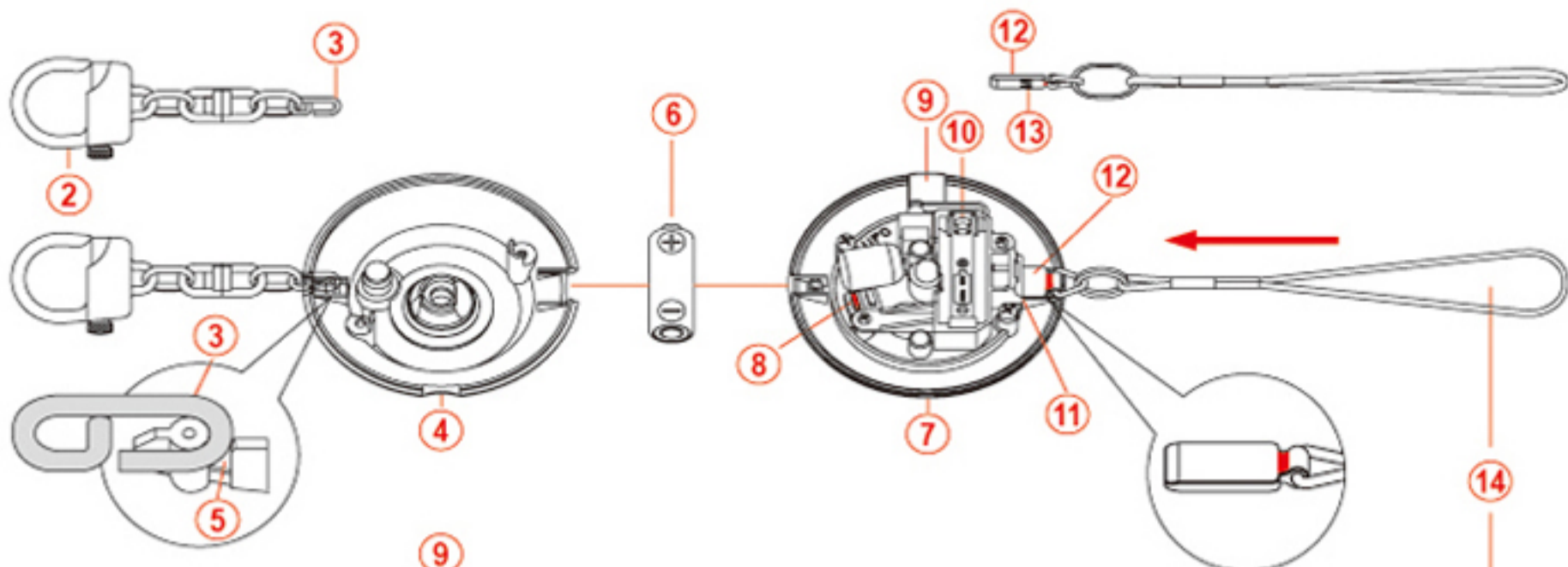
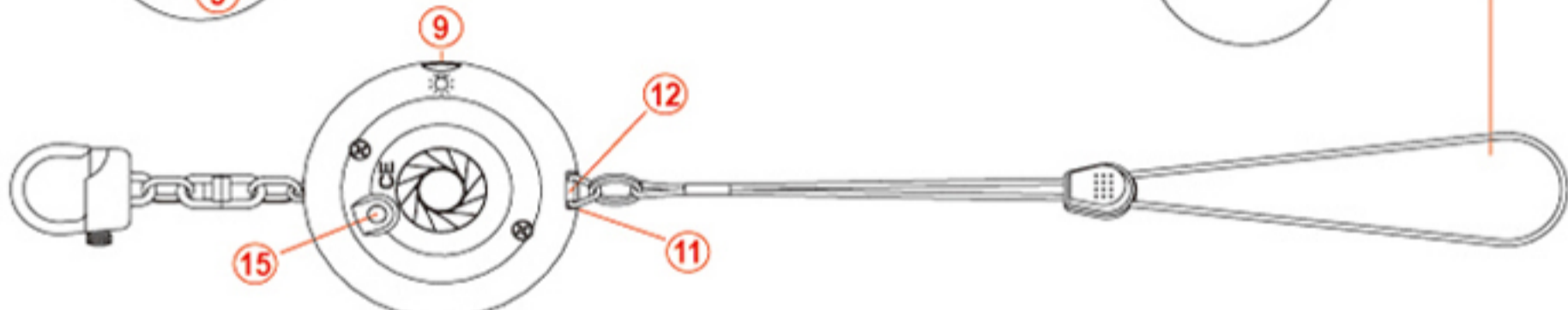


**PRODUCT ASSEMBLY DIAGRAM**

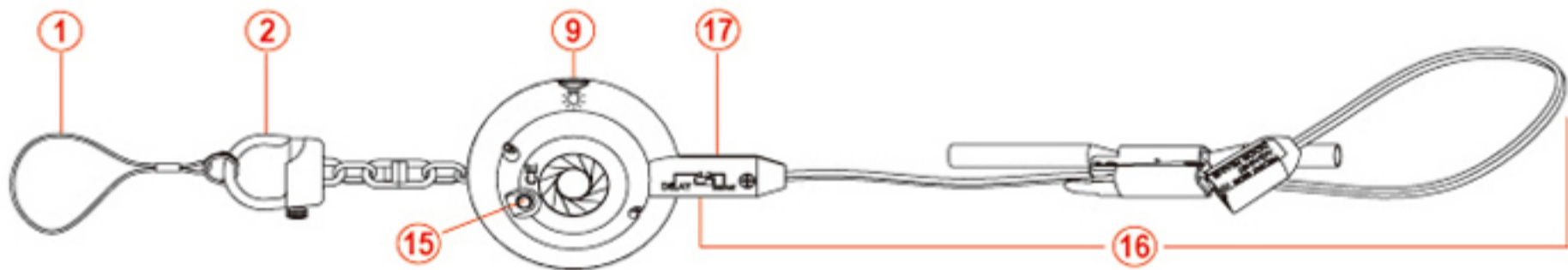
**Fig. 1**



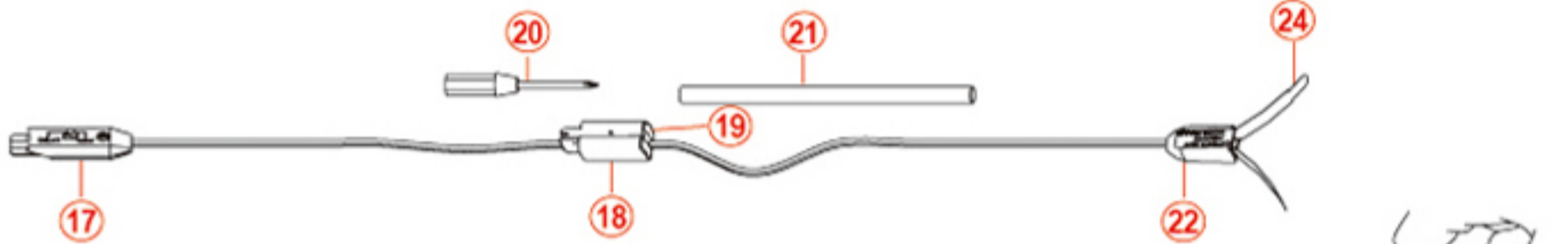
**Fig. 2**



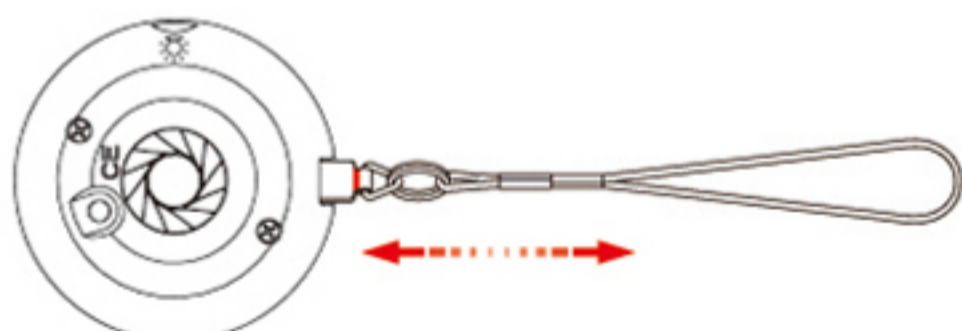
**Fig. 3**



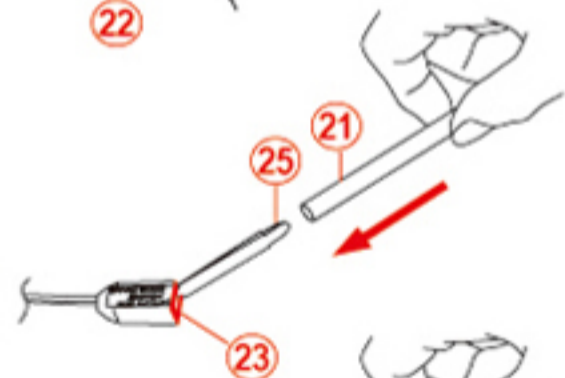
**Fig. 4**



**Fig. 5**



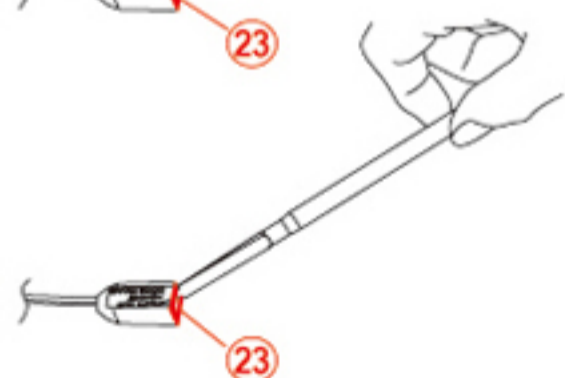
**Fig. 7**



**Fig. 6**




**Fig. 8**




- |                   |                     |                   |                      |                      |                        |
|-------------------|---------------------|-------------------|----------------------|----------------------|------------------------|
| ① Door knob strap | ⑥ Battery           | ⑪ Plug socket     | ⑬ Raised notch       | ⑰ Burglar alarm plug | ⑳ Screwdriver          |
| ② Snap hook       | ⑦ Top cover         | ⑫ Insulation plug | ⑭ Loop strap         | ⑱ Retaining socket   | ㉑ Soft sleeve          |
| ③ Connecting link | ⑧ Alarm test button | ⑬ Raised notch    | ⑮ Panic button       | ㉒ Plastic handle     | ㉓ Opening end          |
| ④ Bottom cover    | ⑩ Battery holder    | ⑯ Plug socket     | ⑰ Burglar alarm plug | ㉔ Open spring blades | ㉕ Closed spring blades |
| ⑤ Recessed notch  |                     |                   |                      |                      |                        |

## ASSEMBLY INSTRUCTIONS

1. Use the screwdriver (20) to unscrew and open the bottom cover (4), insert the insulation plug (12) (  the side with a red line must be facing up and the opposite side with the two raised notches must be facing down) into the plug socket (11) on the top cover (7) before installing the battery, otherwise the alarm will be immediately triggered. Insertion of the insulation plug (12) is directional (one side with a red line and the other with two raised notches), please ensure that it is inserted correctly. **Fig. 1**

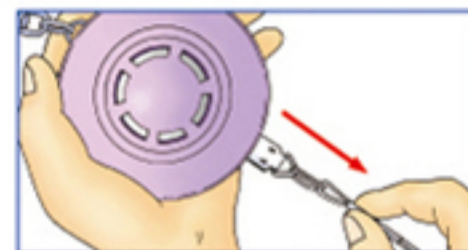
**NOTE :** Do not insert the burglar alarm plug (17) into the plug socket (11), otherwise the bottom cover (4) and top cover (7) cannot be disassembled or reassembled. **Fig. 3**

2. Install the battery (6) into the battery holder (10) (Make sure the polarity is correct).
3. Test the basic functions: **Fig. 1**
  - (1). Alarm Siren : Test 1 : Press the red button (8) (The alarm and handy light will be activated at the same time).  
Test 2 : Remove the insulation plug (12) from the plug socket (11) and reinsert it.
  - (2). Handy Light: Press button (9).
4. Place the connecting link (3) of the snap hook (2) into the recessed notch (5) inside the bottom cover (4).
5. Once reassembled and the alarm device is upside down, the side marked with a red line of the insulation plug should be facing up  . **Fig. 5**

**NOTE :** The insulation plug can be pulled completely out of the plug socket by tugging on the loop strap and can be reinserted by pushing it back in.

## PERSONAL ALARM FUNCTION

When in threat, press the panic button (15) or pull the insulation plug, on the bottom of the alarm, out of the plug socket to instantly activate the high decibel alarm siren and strobe light to effectively scare off the assailant. **Fig. 2**



## ANTI-SNATCH ALARM FUNCTION

1. When going out, attach the snap hook to the handle of your handbag and hold the loop strap (14) or slip it around your wrist. **Fig. 6 Fig. 2**
2. If your bag is snatched while you are holding on to it, the insulation plug will be pulled out of the plug socket (or you can also pull on the loop strap) to instantly activate the alarm siren and strobe light to effectively startle the snatcher. This can also attract others' attention and alert for help.



## BURGLAR ALARM


1. Replace the insulation plug (12) with the burglar alarm kit (16) by using the burglar alarm plug (17). **Fig. 3**
2. When the burglar alarm kit v-shaped spring blades open (24), the alarm siren and strobe light will activate immediately. **Fig. 4**  
And when you close the v-shaped spring blades (25) with your fingers, the alarm siren and strobe light stops immediately. **Fig. 7**

**NOTE :** When the burglar alarm kit is not in use, insert the closed v-shaped spring blades (25) into the retaining socket (19) of the retaining holder (18) for storage (The same for the soft sleeve (21)). **Fig. 4 Fig. 3**

3. Attach the door knob strap (1) to the snap hook. **Fig. 3 Fig. 6**
4. Select INSTANT or DELAY alarm mode on the burglar alarm plug (17).

**INSTANT MODE :**  (switch flipped to the right for INSTANT)

When the door, window or drawer is opened, the alarm siren and strobe light will be activated instantly.

**DELAY MODE :**  (switch flipped to the left for DELAY)

When the door, window or drawer is opened, the alarm delay procedure is as follows (for 80 seconds):



**NOTE :** If you want to change the alarm mode (Instant/Delay) while the alarm is triggered, you need to close the v-shaped spring blades first and then flip the switch to the other alarm mode; otherwise the current alarm mode will continue to be active.

## FUNCTION 1: Home Burglar Alarm (Door or Window) Indoor Setup

1. Hang the door knob strap (attached to the snap hook) around the door handle (for window alarm setup, an appropriate hook next to the window may be needed to hang the door knob strap or snap hook).
2. Insert the closed v-shaped spring blades into the gap between the door and its frame (or window and its frame) to complete the burglar alarm setup.
3. When the door/window is opened by an intruder, the v-shaped spring blades will snap open and instantly activate the alarm siren and strobe light, effectively alerting the intrusion and scaring off the burglar.

